

REVISIONS			
REV	DESCRIPTION	DATE	APPROVED
A	Released	5/12/2009	

G615-16 (3982 MBH)					
Oil					
Riello	A	B	Power Flame	A	B
RL130/M	42 3/4	58	C4-0B	39 1/2	44

Legend		
ABR.	Name	Size
VK	Supply	6
RK	Return 1	6
EL	Boiler Drain	3/4

NOTE 1. 'A' Dimension is to the back of the burner.  
 'B' Dimension is the extraction dimension.

2. All dimensions are in inches.  
 3. Manifold provided, field assembly required.  
 4. Burner shipped separately; field assembly required.

Bosch Thermotechnology Corp.  
 50 Wentworth Ave.  
 Londonderry, NH 03053  
 Phone: 603-552-1100

Tolerance

Fraction=±1/4"  
 x.x=±0.030  
 x.xx=±0.015  
 x.xxx=±0.005

(UNLESS OTHERWISE NOTED)

This drawing is the exclusive property of Bosch Thermotechnology Corporation, it may not be reproduced or given to third parties.

Drawn By:  
 M SPIRIDIGLOZZI

Approved By:  
 J MILLS

**Buderus** Bosch Thermotechnology Corp.

Bosch Group

DESCRIPTION  
**G615-16 BOILER BURNER SPECIFICATION**

SIZE	SCALE	PART NO.	REV.
A	3/8" = 1'	<b>BTC 413006108</b>	A

DATE 4/16/2009 SHEET 1 of 1

4

3

2

1

D

D

C

C

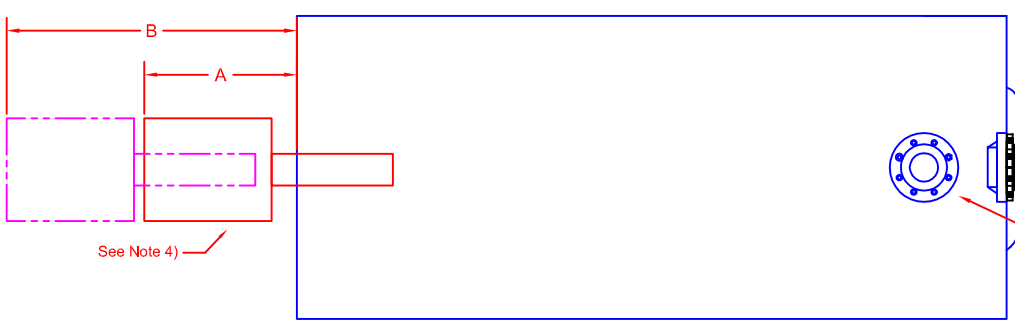
B

B

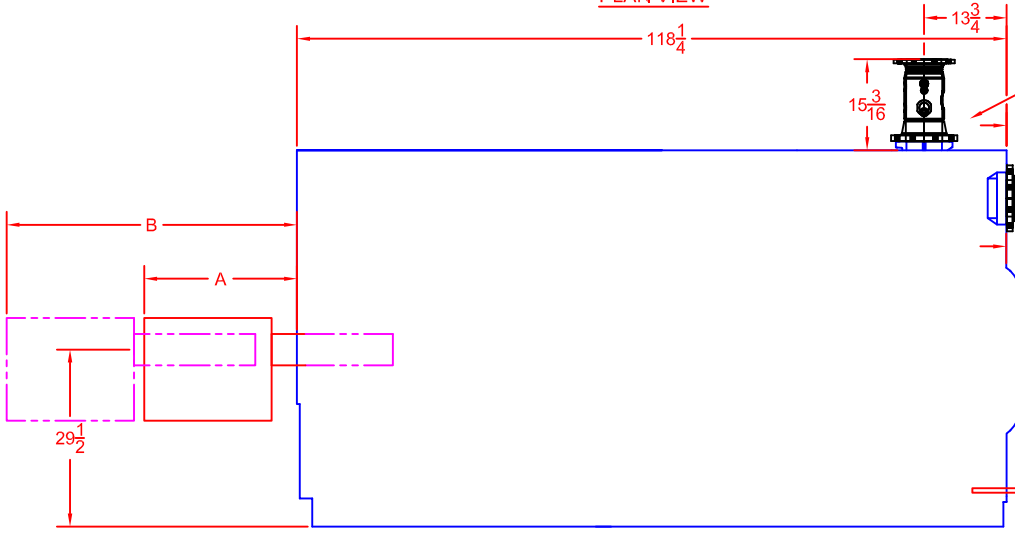
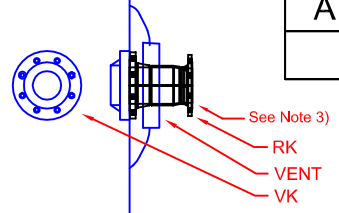
A

A

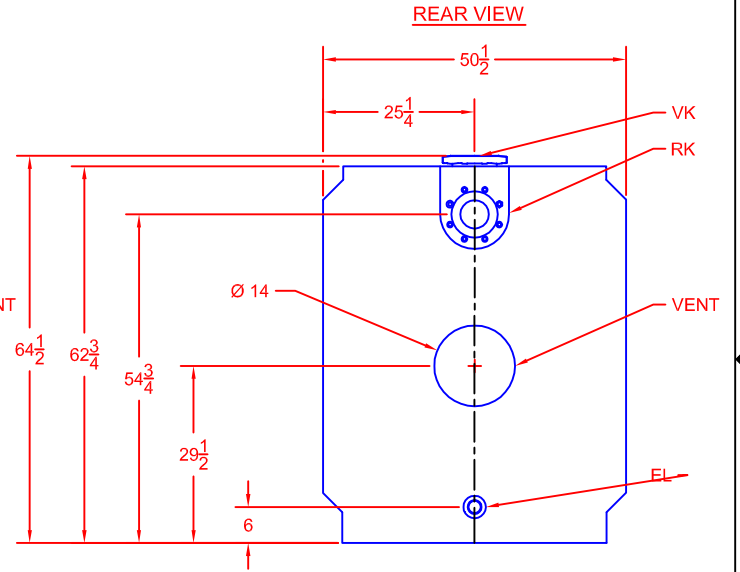
REVISIONS			
REV	DESCRIPTION	DATE	APPROVED
A	Released	5/12/2009	



PLAN VIEW



SIDE VIEW



REAR VIEW

G615-16 (3982 MBH)					
Gas					
Riello	A	B	Power Flame	A	B
RS130/M	51	66 3/16	C4-G-30	39 1/2	44

Legend		
ABR.	Name	Size
VK	Supply	6
RK	Return 1	6
EL	Boiler Drain	3/4

NOTE 1. 'A' Dimension is to the back of the burner.  
 'B' Dimension is the extraction dimension.

2. All dimensions are in inches.  
 3. Manifold provided, field assembly required.  
 4. Burner shipped separately; field assembly required.

Bosch Thermotechnology Corp.  
 50 Wentworth Ave.  
 Londonderry, NH 03053  
 Phone: 603-552-1100

Tolerance

Fraction=±1/4"  
 x.x=±0.030  
 x.xx=±0.015  
 x.xxx=±0.005

(UNLESS OTHERWISE NOTED)

This drawing is the exclusive property of Bosch Thermotechnology Corporation, it may not be reproduced or given to third parties.

Drawn By:  
 M SPIRIDIGLOZZI

Approved By:  
 J MILLS

**Buderus** Bosch Thermotechnology Corp.

Bosch Group

DESCRIPTION  
**G615-16 BOILER BURNER SPECIFICATION**

SIZE	SCALE	PART NO.	REV.
A	3/8" = 1'	<b>BTC 413006108</b>	A

DATE 4/16/2009 SHEET 1 of 1

4

3

2

1

D

D

C

C

B

B

A

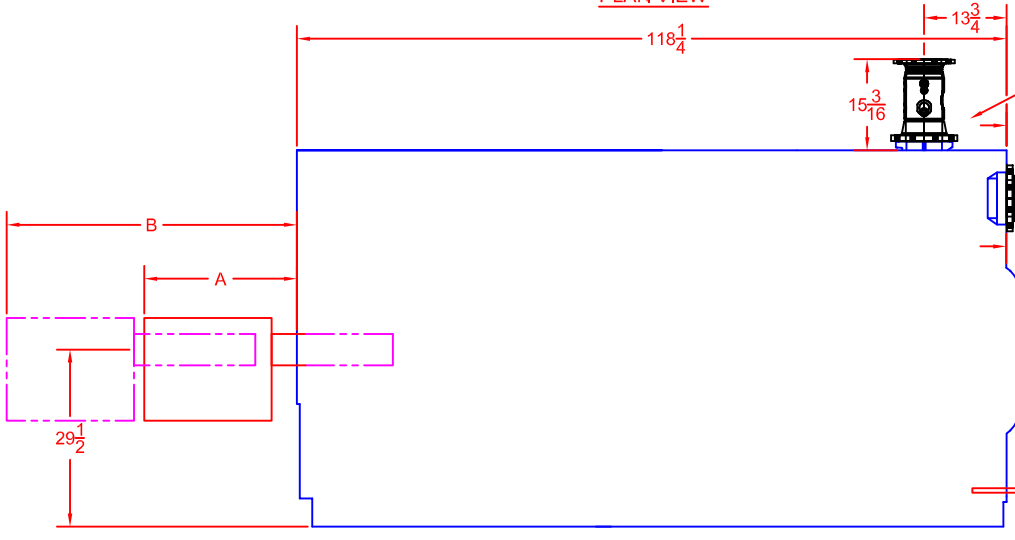
A

REVISIONS			
REV	DESCRIPTION	DATE	APPROVED
A	Released	5/12/2009	

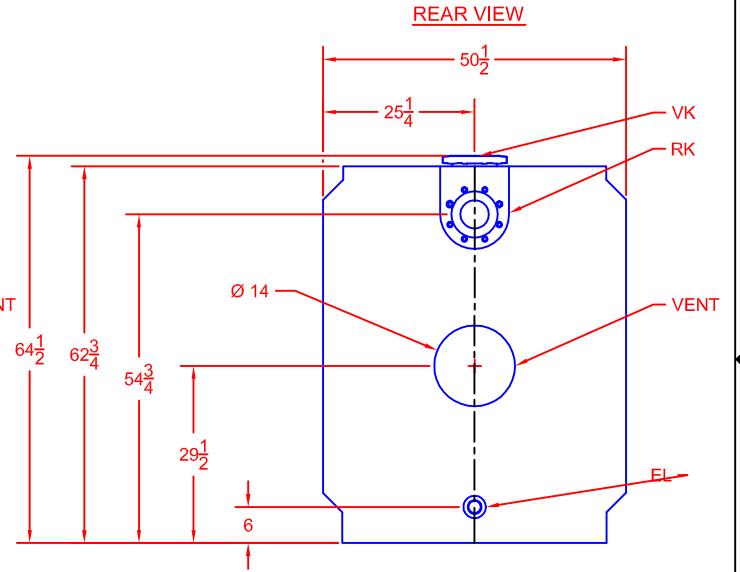


PLAN VIEW

See Note 3)  
RK  
VENT  
VK



SIDE VIEW



REAR VIEW

G615-16 (3982 MBH)					
Combination					
Riello	A	B	Power Flame	A	B
RLS130	45 3/4	56 9/16	C4-GO-30	39 1/2	44

Legend		
ABR.	Name	Size
VK	Supply	6
RK	Return 1	6
EL	Boiler Drain	3/4

NOTE 1. 'A' Dimension is to the back of the burner.  
'B' Dimension is the extraction dimension.

2. All dimensions are in inches.  
3. Manifold provided, field assembly required.  
4. Burner shipped separately; field assembly required.

Bosch Thermotechnology Corp.  
50 Wentworth Ave.  
Londonderry, NH 03053  
Phone: 603-552-1100

Tolerance

Fraction=±1/4"  
x.x=±0.030  
x.xx=±0.015  
x.xxx=±0.005

(UNLESS OTHERWISE NOTED)

This drawing is the exclusive property of Bosch Thermotechnology Corporation, it may not be reproduced or given to third parties.

Drawn By:  
M SPIRIDIGLOZZI

Approved By:  
J MILLS

**Buderus** Bosch Thermotechnology Corp.

Bosch Group

DESCRIPTION  
G615-16 BOILER BURNER SPECIFICATION

SIZE	SCALE	PART NO.	REV.
A	3/8" = 1'	BTC 413006108	A

DATE 4/16/2009 SHEET 1 of 1

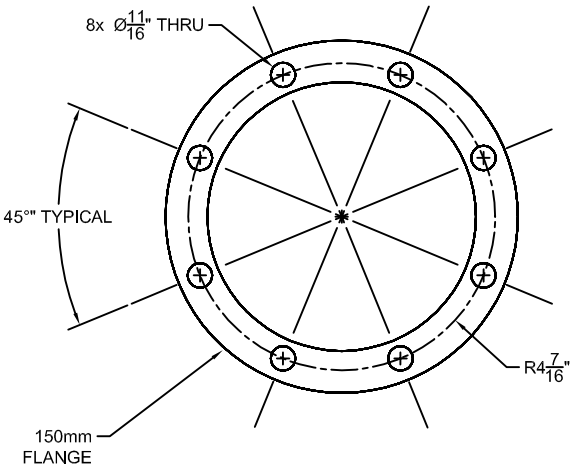
4

3

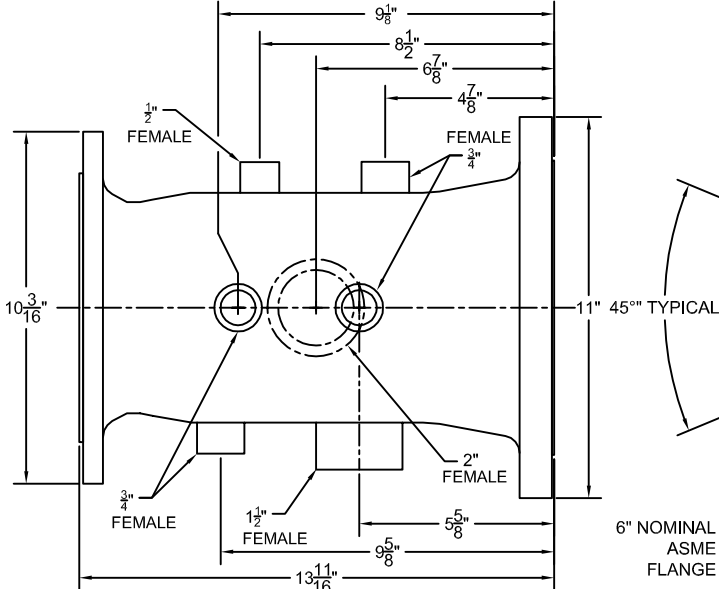
2

1

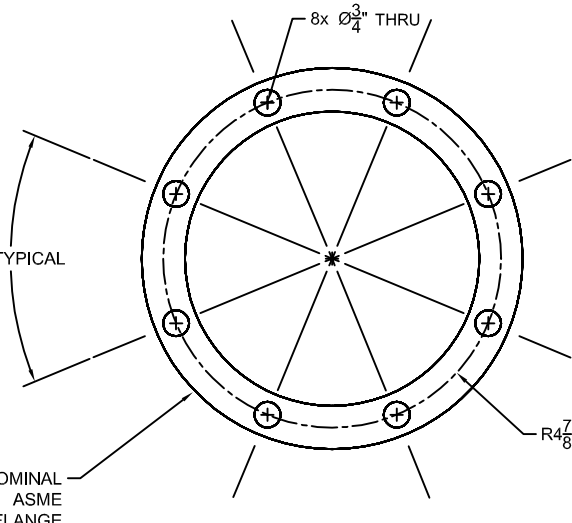
REVISIONS			
REV	DESCRIPTION	DATE	APPROVED
A	RELEASED	6/12/2009	



END VIEW



SIDE VIEW



END VIEW

NOTE  
 1. All dimensions are in inches.  
 2. All pipe sizes are NPT.

Bosch Thermotechnology Corp.  
 50 Wentworth Ave.  
 Londonderry, NH 03053  
 Phone: 603-552-1100

Tolerance

Fraction = ± 1/4"  
 x.x = ± 0.030  
 x.xx = ± 0.015  
 x.xxx = ± 0.005

(UNLESS OTHERWISE NOTED)

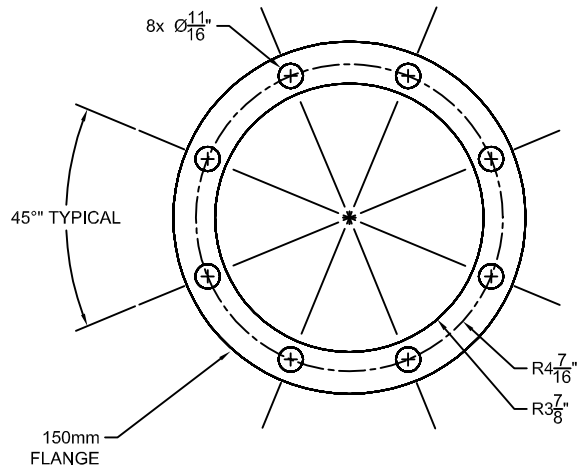
This drawing is the exclusive property of Bosch Thermotechnology Corporation, it may not be reproduced or given to third parties.

Drawn By:  
 M SPIRIDIGLOIZZI

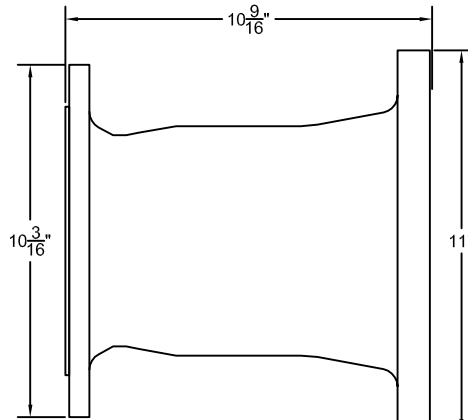
Approved By:  
 J MILLS

<b>Buderus</b>		Bosch Thermotechnology Corp.	
Bosch Group		DESCRIPTION	
G615 SUPPLY MANIFOLD SPECIFICATION			
SIZE	SCALE	PART NO.	REV.
A	NTS	BTC 413006117	A
DATE 6/9/2009		SHEET 1 of 2	

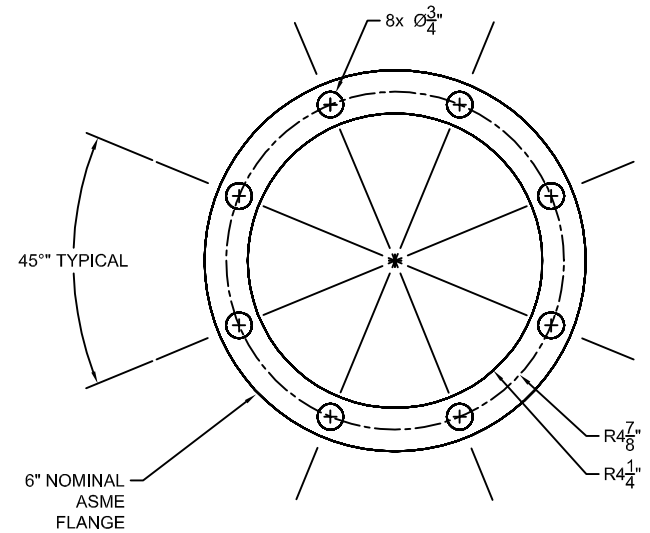
REVISIONS			
REV	DESCRIPTION	DATE	APPROVED
A	RELEASED	6/12/2009	



END VIEW



SIDE VIEW



END VIEW

NOTE

- All dimensions are in inches.
- All pipe sizes are NPT.

Bosch Thermotechnology Corp.  
50 Wentworth Ave.  
Londonderry, NH 03053  
Phone: 603-552-1100

Tolerance

Fraction =  $\pm \frac{1}{4}$ "  
x.x =  $\pm 0.030$   
x.xx =  $\pm 0.015$   
x.xxx =  $\pm 0.005$

(UNLESS OTHERWISE NOTED)

This drawing is the exclusive property of Bosch Thermotechnology Corporation, it may not be reproduced or given to third parties.

Drawn By:  
M SPIRIDIGLOZZI

Approved By:  
J MILLS

**Buderus**

Bosch Group

Bosch Thermotechnology Corp.

DESCRIPTION

G615 RETURN MANIFOLD SPECIFICATION

SIZE

A

SCALE

NTS

PART NO.

BTC 413006117

REV.

A

DATE 6/9/2009

SHEET 2 of 2