

NOTE 1. All dimensions are in inches.
 2. Door dimensions not included.

Bosch Thermotechnology Corp.
 50 Wentworth Ave.
 Londonderry, NH 03053
 Phone: 603-552-1100

Tolerance
 Fraction = $\pm\frac{1}{4}$ "
 x.x = ± 0.030
 x.xx = ± 0.015
 x.xxx = ± 0.005
 (UNLESS OTHERWISE NOTED)

This drawing is the exclusive property of Bosch Thermotechnology Corporation, it may not be reproduced or given to third parties.

Drawn By:
 M SPIRIDIGLOZZI
 Approved By:
 J MILLS

Buderus
 Bosch Group

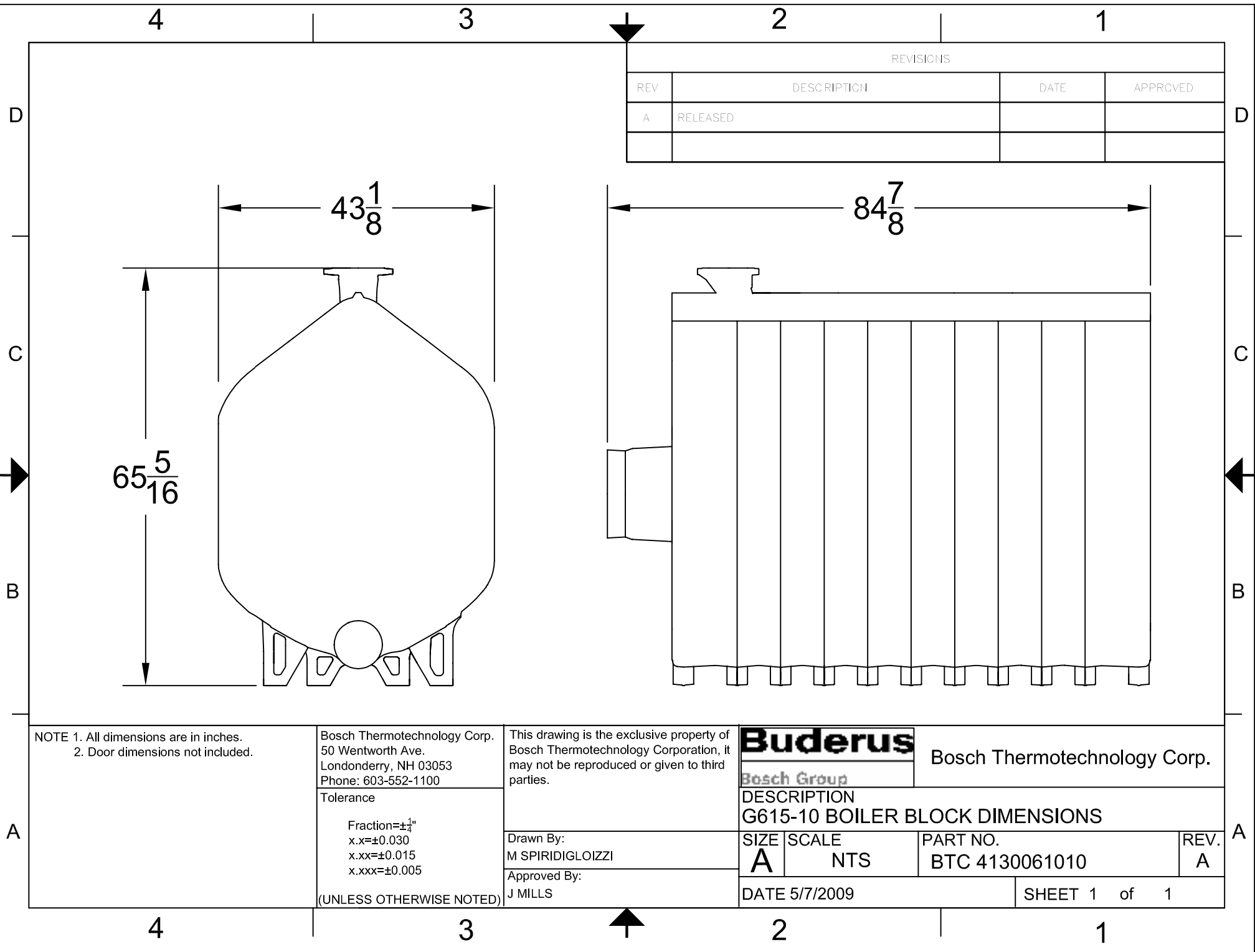
Bosch Thermotechnology Corp.

DESCRIPTION
 G615-9 BOILER BLOCK DIMENSIONS

SIZE A	SCALE NTS	PART NO. BTC 413006109	REV. A
------------------	--------------	---------------------------	-----------

DATE 5/7/2009

SHEET 1 of 1



REVISIONS			
REV	DESCRIPTION	DATE	APPROVED
A	RELEASED		

NOTE 1. All dimensions are in inches.
 2. Door dimensions not included.

Bosch Thermotechnology Corp.
 50 Wentworth Ave.
 Londonderry, NH 03053
 Phone: 603-552-1100

Tolerance
 Fraction = $\pm\frac{1}{4}$ "
 x.x = ± 0.030
 x.xx = ± 0.015
 x.xxx = ± 0.005
 (UNLESS OTHERWISE NOTED)

This drawing is the exclusive property of Bosch Thermotechnology Corporation, it may not be reproduced or given to third parties.

Drawn By:
 M SPIRIDIGLOZZI
 Approved By:
 J MILLS

Buderus
 Bosch Group

Bosch Thermotechnology Corp.

DESCRIPTION
 G615-10 BOILER BLOCK DIMENSIONS

SIZE A	SCALE NTS	PART NO. BTC 4130061010	REV. A
DATE 5/7/2009		SHEET 1 of 1	

4

3

2

1

D

D

C

C

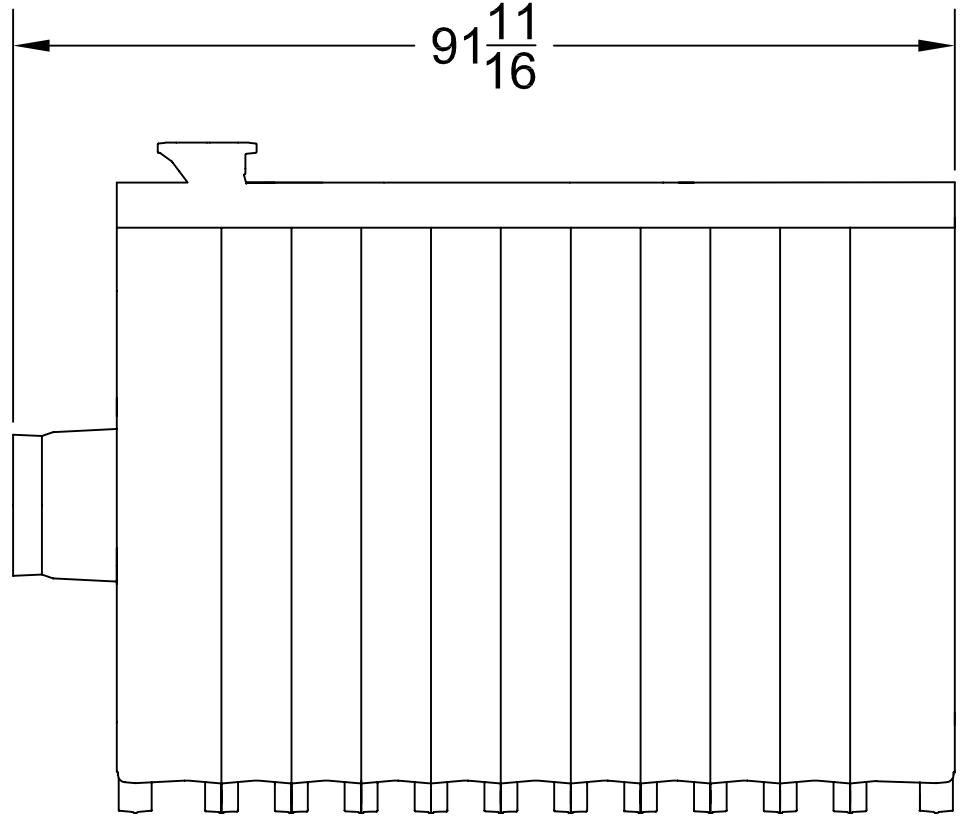
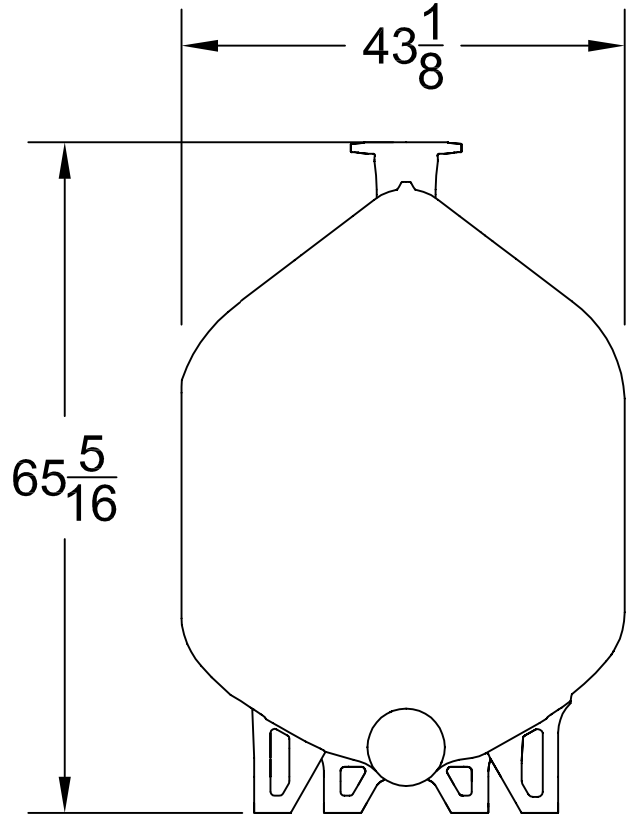
B

B

A

A

REVISIONS			
REV	DESCRIPTION	DATE	APPROVED
A	RELEASED		



NOTE 1. All dimensions are in inches.
 2. Door dimensions not included.

Bosch Thermotechnology Corp.
 50 Wentworth Ave.
 Londonderry, NH 03053
 Phone: 603-552-1100

Tolerance
 Fraction = $\pm\frac{1}{4}$ "
 x.x = ± 0.030
 x.xx = ± 0.015
 x.xxx = ± 0.005

(UNLESS OTHERWISE NOTED)

This drawing is the exclusive property of Bosch Thermotechnology Corporation, it may not be reproduced or given to third parties.

Drawn By:
 M SPIRIDIGLOZZI

Approved By:
 J MILLS

Buderus
 Bosch Group

Bosch Thermotechnology Corp.

DESCRIPTION
 G615-11 BOILER BLOCK DIMENSIONS

SIZE A	SCALE NTS	PART NO. BTC 4130061011	REV. A
------------------	--------------	----------------------------	-----------

DATE 5/7/2009	SHEET 1 of 1
---------------	--------------

4

3

2

1

D

D

REVISIONS			
REV	DESCRIPTION	DATE	APPROVED
A	RELEASED		

43 ¹/₈

98 ¹/₂

C

C

65 ⁵/₁₆

B

B

A

A

NOTE 1. All dimensions are in inches.
 2. Door dimensions not included.

Bosch Thermotechnology Corp.
 50 Wentworth Ave.
 Londonderry, NH 03053
 Phone: 603-552-1100

Tolerance
 Fraction = ± ¹/₄"
 x.x = ±0.030
 x.xx = ±0.015
 x.xxx = ±0.005
 (UNLESS OTHERWISE NOTED)

This drawing is the exclusive property of Bosch Thermotechnology Corporation, it may not be reproduced or given to third parties.

Drawn By:
 M SPIRIDIGLOZZI

Approved By:
 J MILLS

Buderus
 Bosch Group

Bosch Thermotechnology Corp.

DESCRIPTION
 G615-12 BOILER BLOCK DIMENSIONS

SIZE
A

SCALE
 NTS

PART NO.
 BTC 4130061012

REV.
 A

DATE 5/7/2009

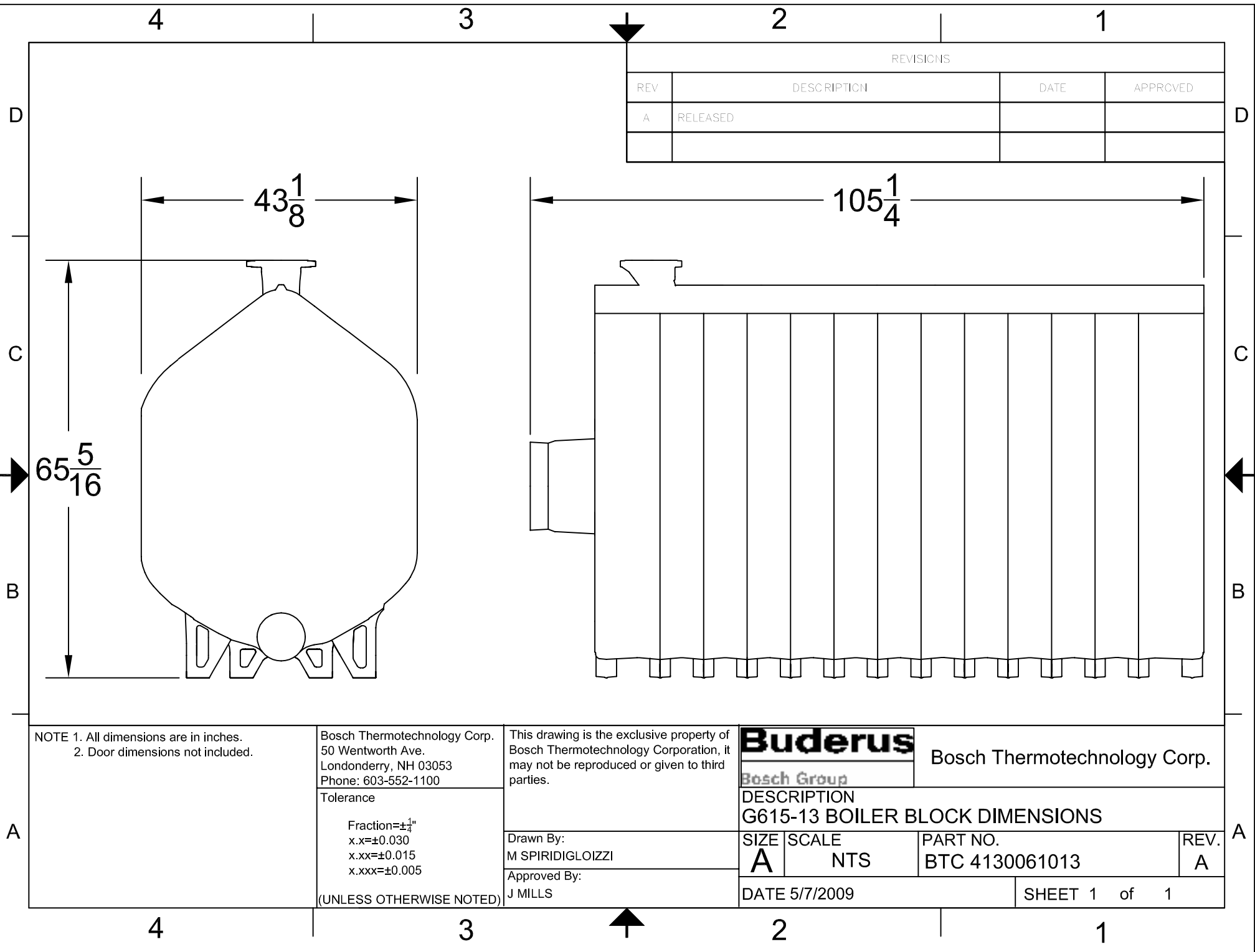
SHEET 1 of 1

4

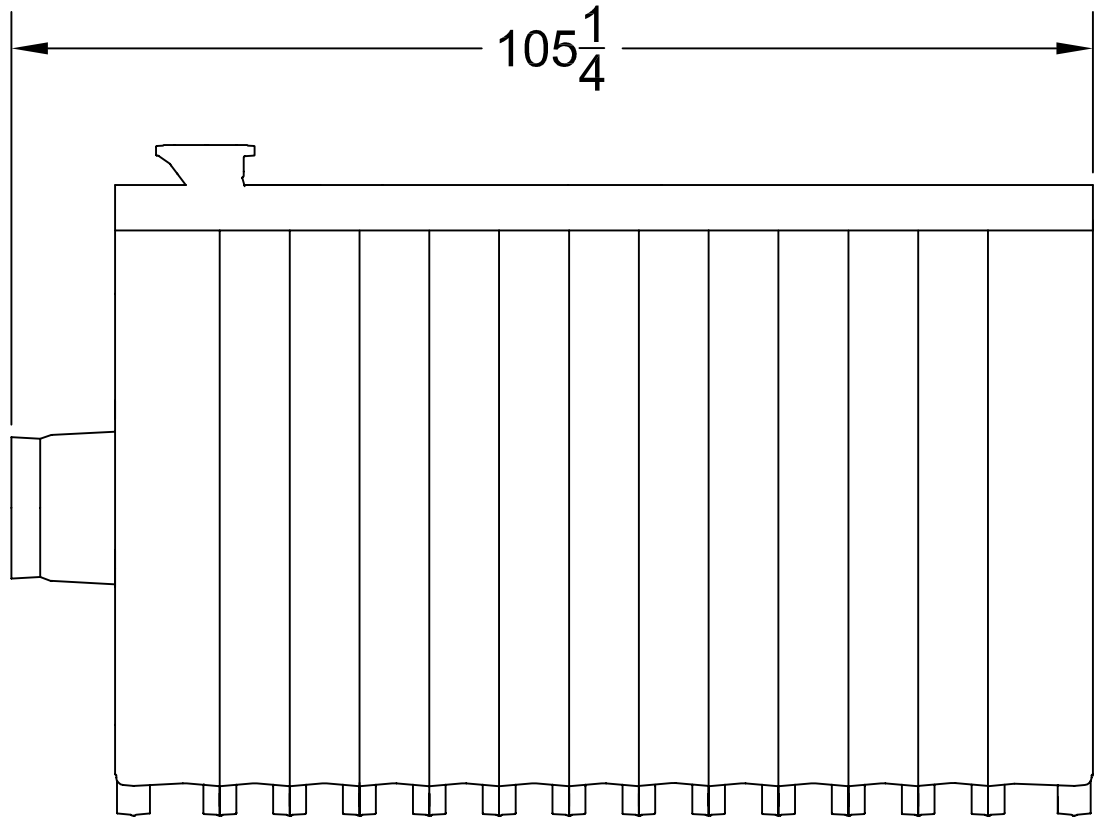
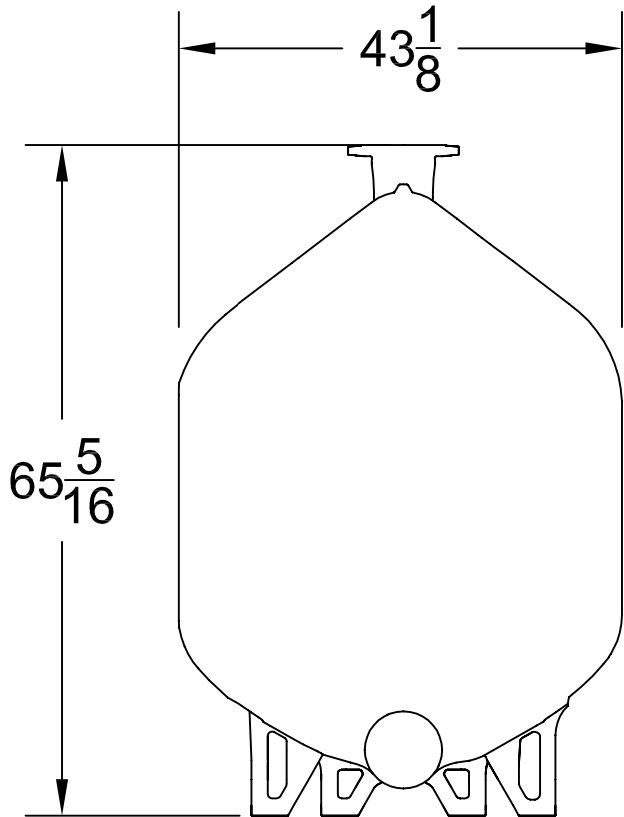
3

2

1



REVISIONS			
REV	DESCRIPTION	DATE	APPROVED
A	RELEASED		



NOTE 1. All dimensions are in inches.
2. Door dimensions not included.

Bosch Thermotechnology Corp.
50 Wentworth Ave.
Londonderry, NH 03053
Phone: 603-552-1100

This drawing is the exclusive property of Bosch Thermotechnology Corporation, it may not be reproduced or given to third parties.

Buderus Bosch Thermotechnology Corp.
Bosch Group

Tolerance
Fraction = $\pm\frac{1}{4}$ "
x.x = ± 0.030
x.xx = ± 0.015
x.xxx = ± 0.005
(UNLESS OTHERWISE NOTED)

Drawn By:
M SPIRIDIGLOZZI
Approved By:
J MILLS

DESCRIPTION
G615-13 BOILER BLOCK DIMENSIONS

SIZE A	SCALE NTS	PART NO. BTC 4130061013	REV. A
------------------	--------------	----------------------------	-----------

DATE 5/7/2009 SHEET 1 of 1

A

A

4

3

2

1

REVISIONS

REV	DESCRIPTION	DATE	APPROVED
A	RELEASED		

D

D

C

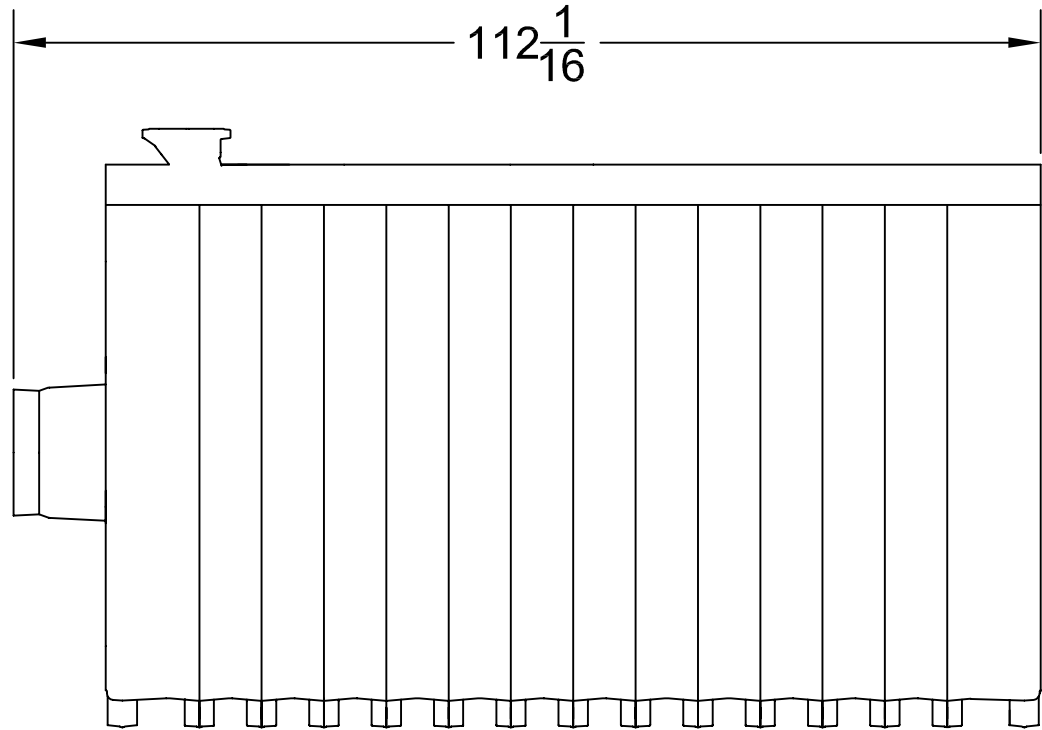
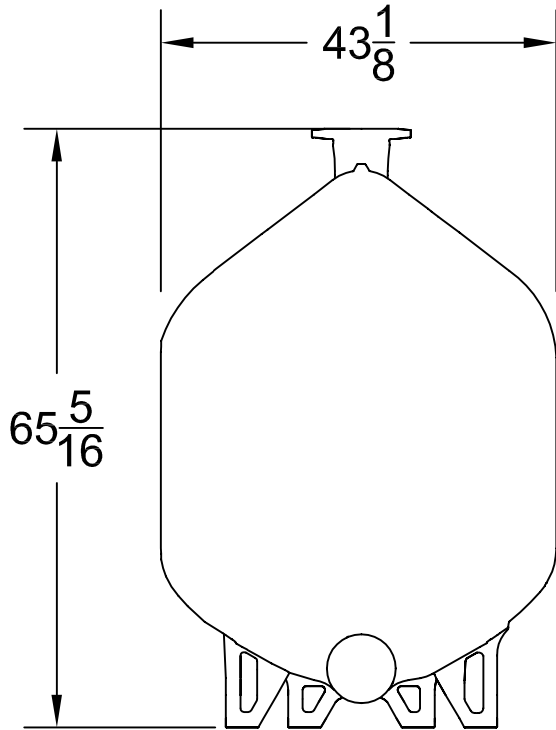
C

B

B

A

A



NOTE 1. All dimensions are in inches.
 2. Door dimensions not included.

Bosch Thermotechnology Corp.
 50 Wentworth Ave.
 Londonderry, NH 03053
 Phone: 603-552-1100

Tolerance
 Fraction= $\pm\frac{1}{4}$ "
 x.x= ± 0.030
 x.xx= ± 0.015
 x.xxx= ± 0.005
 (UNLESS OTHERWISE NOTED)

This drawing is the exclusive property of Bosch Thermotechnology Corporation, it may not be reproduced or given to third parties.

Drawn By:
 M SPIRIDIGLOZZI
 Approved By:
 J MILLS

Buderus
 Bosch Group

Bosch Thermotechnology Corp.

DESCRIPTION
 G615-14 BOILER BLOCK DIMENSIONS

SIZE A	SCALE NTS	PART NO. BTC 4130061014	REV. A
------------------	--------------	----------------------------	-----------

DATE 5/7/2009

SHEET 1 of 1

4

3

2

1

4

3

2

1

REVISIONS

REV	DESCRIPTION	DATE	APPROVED
A	RELEASED		

D

D

C

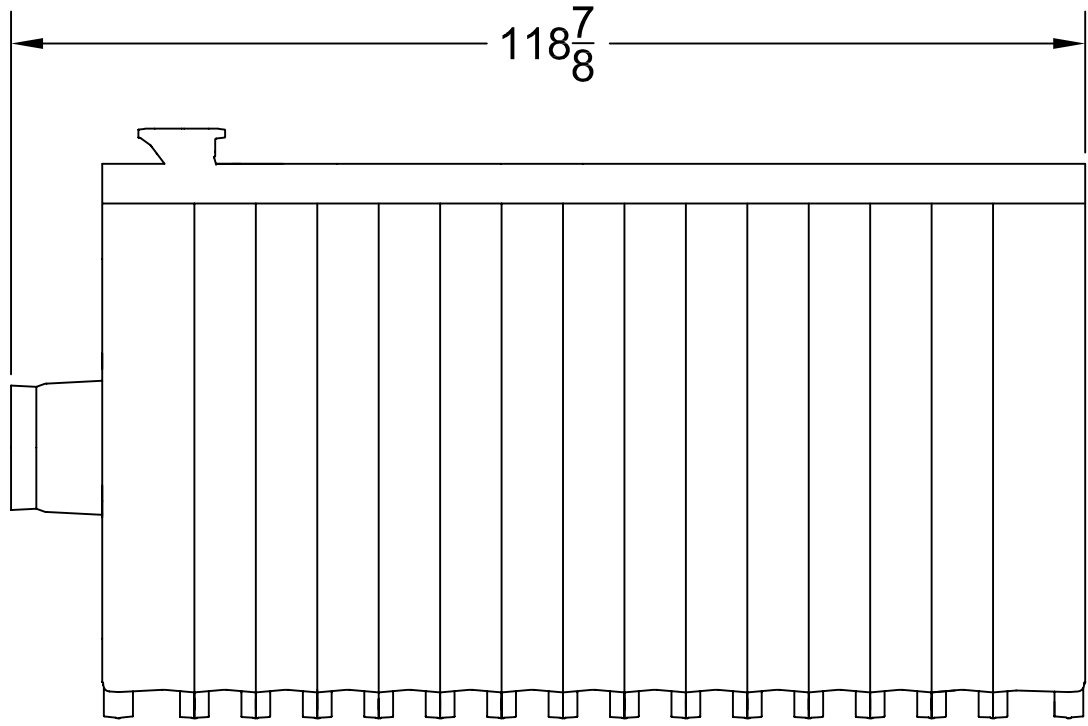
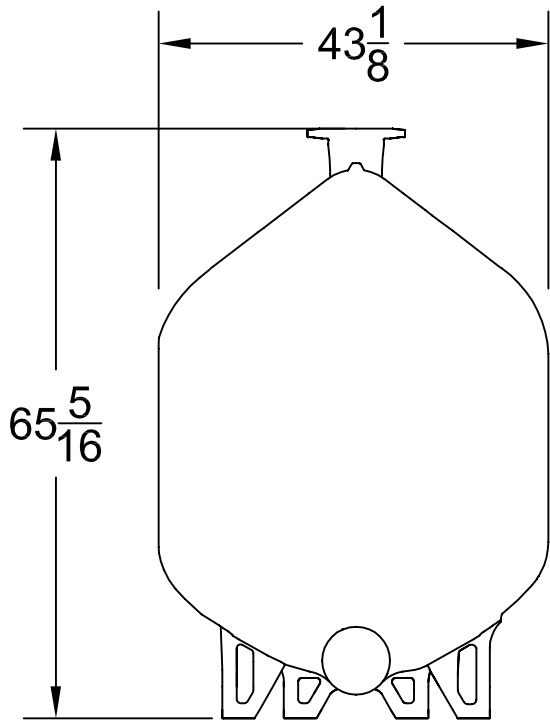
C

B

B

A

A



NOTE 1. All dimensions are in inches.
 2. Door dimensions not included.

Bosch Thermotechnology Corp.
 50 Wentworth Ave.
 Londonderry, NH 03053
 Phone: 603-552-1100

Tolerance
 Fraction=±1/4"
 x.x=±0.030
 x.xx=±0.015
 x.xxx=±0.005

(UNLESS OTHERWISE NOTED)

This drawing is the exclusive property of Bosch Thermotechnology Corporation, it may not be reproduced or given to third parties.

Drawn By:
 M SPIRIDIGLOZZI

Approved By:
 J MILLS

Buderus

Bosch Group

Bosch Thermotechnology Corp.

DESCRIPTION
 G615-15 BOILER BLOCK DIMENSIONS

SIZE
 A

SCALE
 NTS

PART NO.
 BTC 4130061015

REV.
 A

DATE 5/7/2009

SHEET 1 of 1

4

3

2

1

4

3

2

1

REVISIONS

REV	DESCRIPTION	DATE	APPROVED
A	RELEASED		

D

D

C

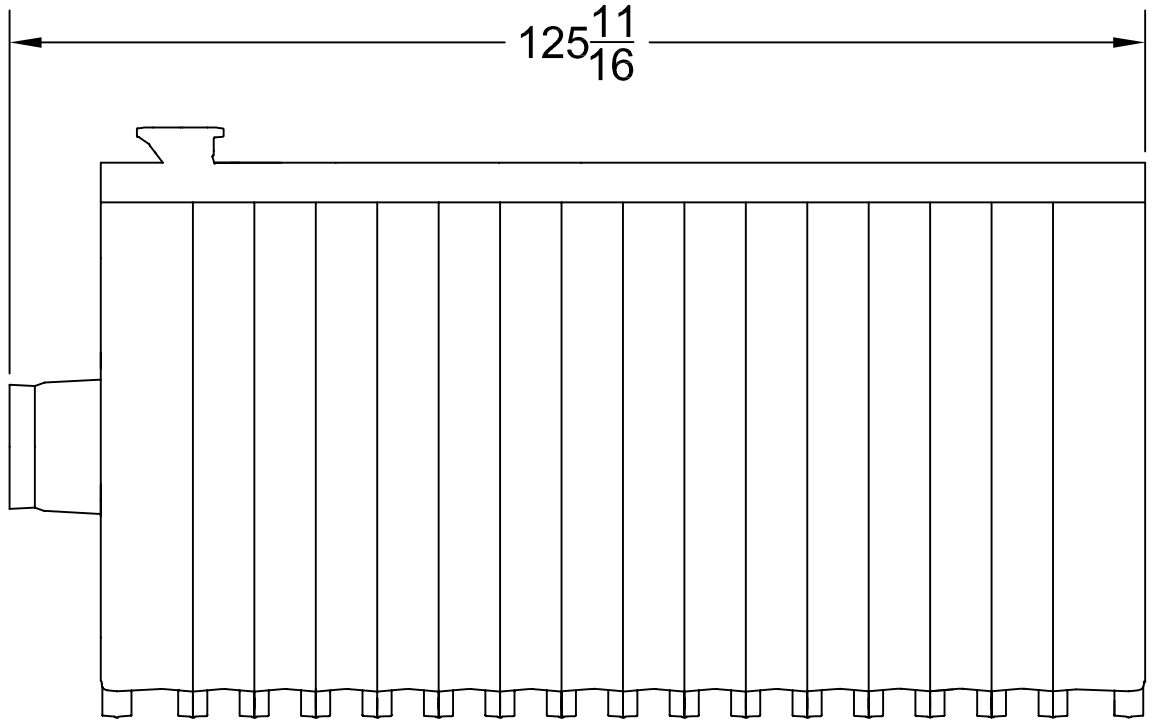
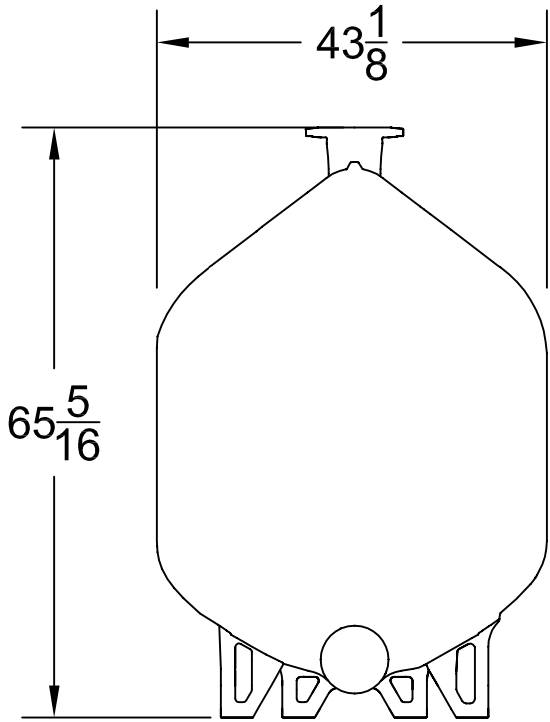
C

B

B

A

A



NOTE 1. All dimensions are in inches.
 2. Door dimensions not included.

Bosch Thermotechnology Corp.
 50 Wentworth Ave.
 Londonderry, NH 03053
 Phone: 603-552-1100

Tolerance
 Fraction= $\pm\frac{1}{4}$ "
 x.x= ± 0.030
 x.xx= ± 0.015
 x.xxx= ± 0.005
 (UNLESS OTHERWISE NOTED)

This drawing is the exclusive property of Bosch Thermotechnology Corporation, it may not be reproduced or given to third parties.

Drawn By:
 M SPIRIDIGLOZZI

Approved By:
 J MILLS

Buderus
 Bosch Group

Bosch Thermotechnology Corp.

DESCRIPTION
 G615-16 BOILER BLOCK DIMENSIONS

SIZE
 A

SCALE
 NTS

PART NO.
 BTC 4130061016

REV.
 A

DATE 5/7/2009

SHEET 1 of 1

4

3

2

1