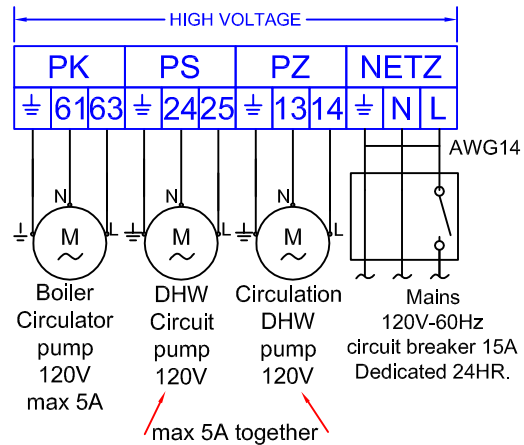
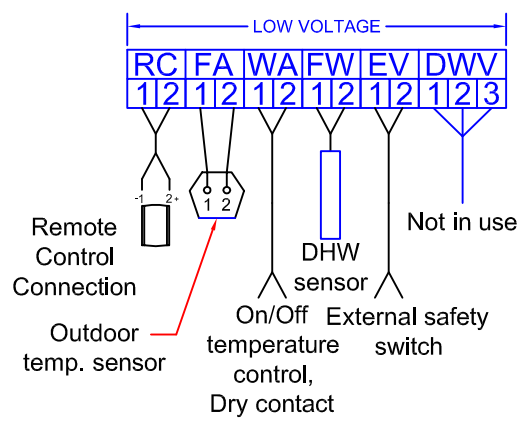
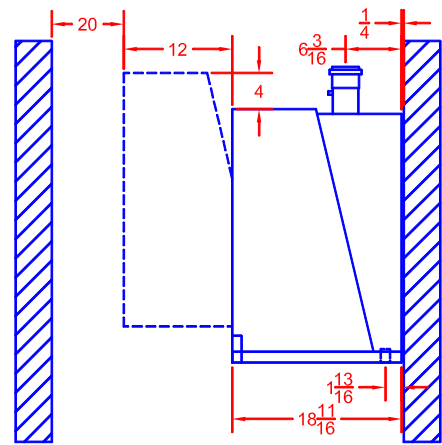
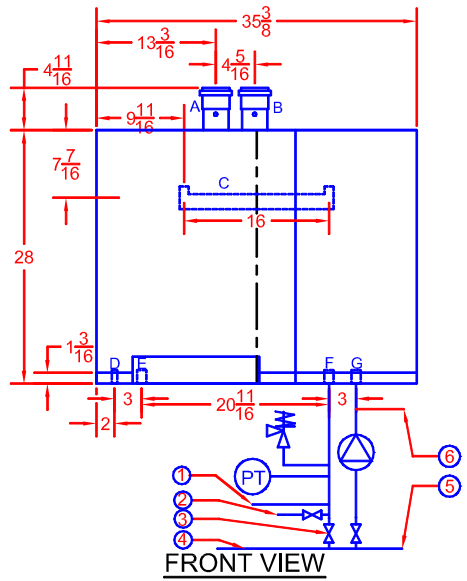


REVISIONS			
REV	DESCRIPTION	DATE	APPROVED
A	RELEASED		

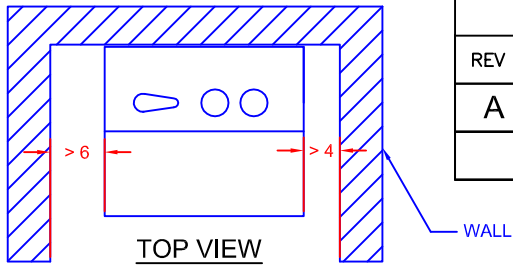


SYMBOL	NAME	SIZE	SYMBOL	NAME	Legend	
A	Flue Gas ID	3"	①	DHW Supply		Safety Relief Valve
B	Air intake ID	3"	②	Drain Valve		Press/Temp Gage
C	Wall bracket	-	③	Manifold Shut-off Valve		Pump
D	Gas OD	3/4"	④	Secondary Supply		Valve
E	Condensate Drain	1.3"	⑤	DHW Return		
F	Supply	1"	⑥	Secondary Return		
G	Return	1"				

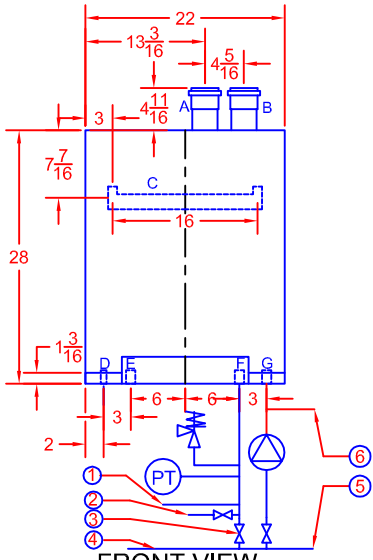
1	Bosch Thermotechnology Corp. 50 Wentworth Ave. Londonderry, NH 03053 Phone: 603-552-1100	This drawing is the exclusive property of Bosch Thermotechnology Corporation, it may not be reproduced or given to third parties.	<b>Buderus</b>		Bosch Thermotechnology Corp.	
	Tolerance Fraction=±1/4" x.x=±0.030 x.xx=±0.015 x.xxx=±0.005  (UNLESS OTHERWISE NOTED)		Drawn By: M SPIRIDIGLOZZI	Approved By: J MILLS	DESCRIPTION <b>GB 142 45/60 SPECIFICATION</b>	
			SIZE <b>A</b>	SCALE NTS	PART NO. BTC 435006102	REV. A
			DATE 4/30/2009		SHEET 1 of 1	

A B C D

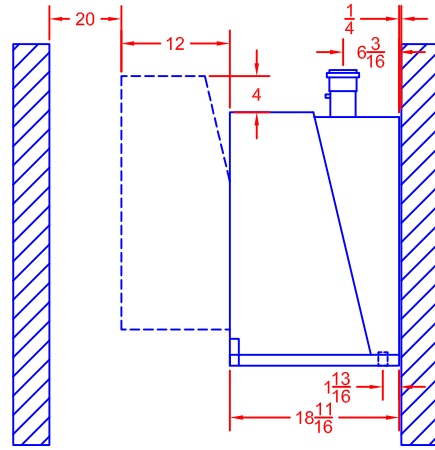
REVISIONS			
REV	DESCRIPTION	DATE	APPROVED
A	RELEASED		



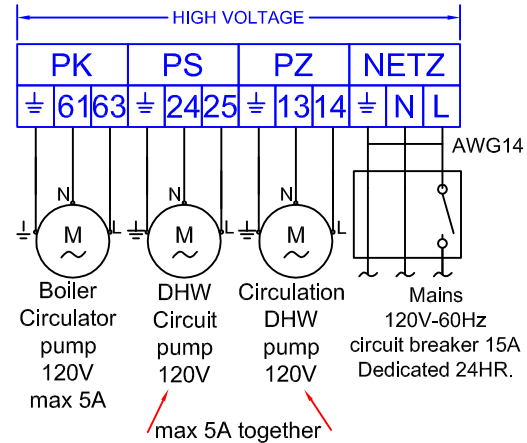
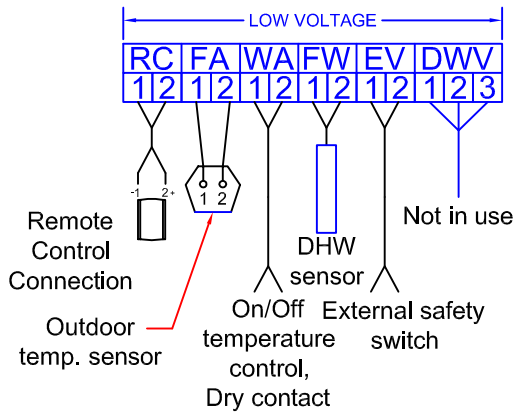
TOP VIEW



FRONT VIEW



SIDE VIEW



SYMBOL	NAME	SIZE	SYMBOL	NAME	Legend	
A	Flue Gas ID	3"	①	DHW Supply		Safety Relief Valve
B	Air intake ID	3"	②	Drain Valve		Press/Temp Gage
C	Wall bracket	-	③	Manifold Shut-off Valve		Pump
D	Gas OD	3/4"	④	Secondary Supply		Valve
E	Condensate Drain	1.3"	⑤	DHW Return		
F	Supply	1"	⑥	Secondary Return		
G	Return	1"				

Bosch Thermotechnology Corp.  
50 Wentworth Ave.  
Londonderry, NH 03053  
Phone: 603-552-1100

Tolerance  
Fraction= $\pm\frac{1}{16}$ "  
x.x= $\pm 0.030$   
x.xx= $\pm 0.015$   
x.xxx= $\pm 0.005$

(UNLESS OTHERWISE NOTED)

This drawing is the exclusive property of Bosch Thermotechnology Corporation, it may not be reproduced or given to third parties.

Drawn By:  
M SPIRIDIGLOZZI

Approved By:  
J MILLS

**Buderus**  
Bosch Group

Bosch Thermotechnology Corp.

DESCRIPTION  
GB 142 24/30 SPECIFICATION

SIZE	SCALE	PART NO.	REV.
A	NTS	BTC 435006101	A

DATE 4/30/2009 SHEET 1 of 1

A B C D