

Slant/Fin

EUTECTIC



This parts list must be left with owner, hung on or adjacent to the boiler. Owner should retain parts list for future reference.



EC-10 Series Oil-Fired Hot Water Boiler

Boiler Replacement Parts List

Boiler Body & External Components

Item No.	Description	EC-13	EC-14	EC-15	EC-16
1	BASE	470058000	470059000	470060000	470061000
2	CASTING ASSEMBLY WITH DOOR	470001000	470002000	470003000	470004000
3	ADJUSTABLE FEET (SET OF 4)	470062000	470062000	470062000	470062000
4	NOZZLE DIA 125/130 (3, 4 & 5 SECTION)	470223000	470223000	470223000	470223000
4.1	RING DIA 150/153 FOR NOZZLE (6 SECTION ONLY)	-	-	-	470224000
5	DIA 8 THERMOCORD GASKET	470225000	470225000	470225000	470225000
6	LOWER DOOR HINGE	470101000	470101000	470101000	470101000
7	UPPER DOOR HINGE	470102000	470102000	470102000	470102000
8	COMPLETE BURNER DOOR	470100000	470100000	470100000	470100000
9	DOOR INSULATION - COMPLETE	470082000	470082000	470082000	470082000
10	DOOR BACK INSULATION	470104000	470104000	470104000	470104000
11	DOOR INTERMEDIATE INSULATION	470105000	470105000	470105000	470105000
12	DOOR FRONT INSULATION	470106000	470106000	470106000	470106000
13	HINGE PIN FOR BURNER DOOR	470103000	470103000	470103000	470103000
14	SILICONE-COATED FIBERGLASS SEAL	470226000	470226000	470226000	470226000
15	OBSERVATION DOOR COMPLETE	470107000	470107000	470107000	470107000
16	OBSERVATION DOOR	470227000	470227000	470227000	470227000
17	OBSERVATION DOOR GASKET	470228000	470228000	470228000	470228000
18	OBSERVATION DOOR GLASS	470229000	470229000	470229000	470229000
19	SUPPLY/RETURN PIPE ADAPTER NIPPLE	470192000	470192000	470192000	470192000
20	DRAIN VALVE FEMALE 3/4 NPT	470169000	470169000	470169000	470169000
20.1	DRAIN ADAPTER NIPPLE 1/2" BSPP TO 3/4" NPT	470191000	470191000	470191000	470191000
21	SENSOR TUBE	470209000	470209000	470209000	470209000
22	SPRING FOR POCKET	470210000	470210000	470210000	470210000
23	CONTACT SPRING FOR THIMBLE TUBE	470211000	470211000	470211000	470211000
24	LEFT BAFFLE PLATE	470200000	-	-	-
25	CENTER BAFFLE PLATE	470201000	470201000	470201000	-
26	RIGHT BAFFLE PLATE	470202000	470202000	470202000	-
27	BAG OF SCREWS (BODY)	470109000	470109000	470109000	470109000
28	BRUSH	470213000	470213000	470213000	470213000
29	BURNER MOUNTING STUD	470159000	470159000	470159000	470159000
30	BECKETT #SF2901~4 BURNER PACKAGE	470135000	470136000	470137000	470138000
30	CARLIN EZ-1PRO BURNER PACKAGE	470139000	470140000	470141000	470142000
30	RIELLO 40 F-3 BURNER PACKAGE	470143000	-	-	-
30	RIELLO 40 F-5 BURNER PACKAGE	-	470144000	470145000	470146000
31	TACO 007 1-1/4" CIRCULATOR	470093000	470093000	470093000	470093000
31	GRUNDFOS UPS 15-42 1-1/4" CIRCULATOR	470095000	470095000	470095000	470095000
31	B & G NRF 22 1-1/4" CIRCULATOR	470097000	470097000	470097000	470097000
32	RELIEF VALVE 30 PSI	400103000	400103000	400103000	400103000
33	5" DRAFT REGULATOR	400094000	400094000	400094000	-
33	6" DRAFT REGULATOR	-	-	-	400098000

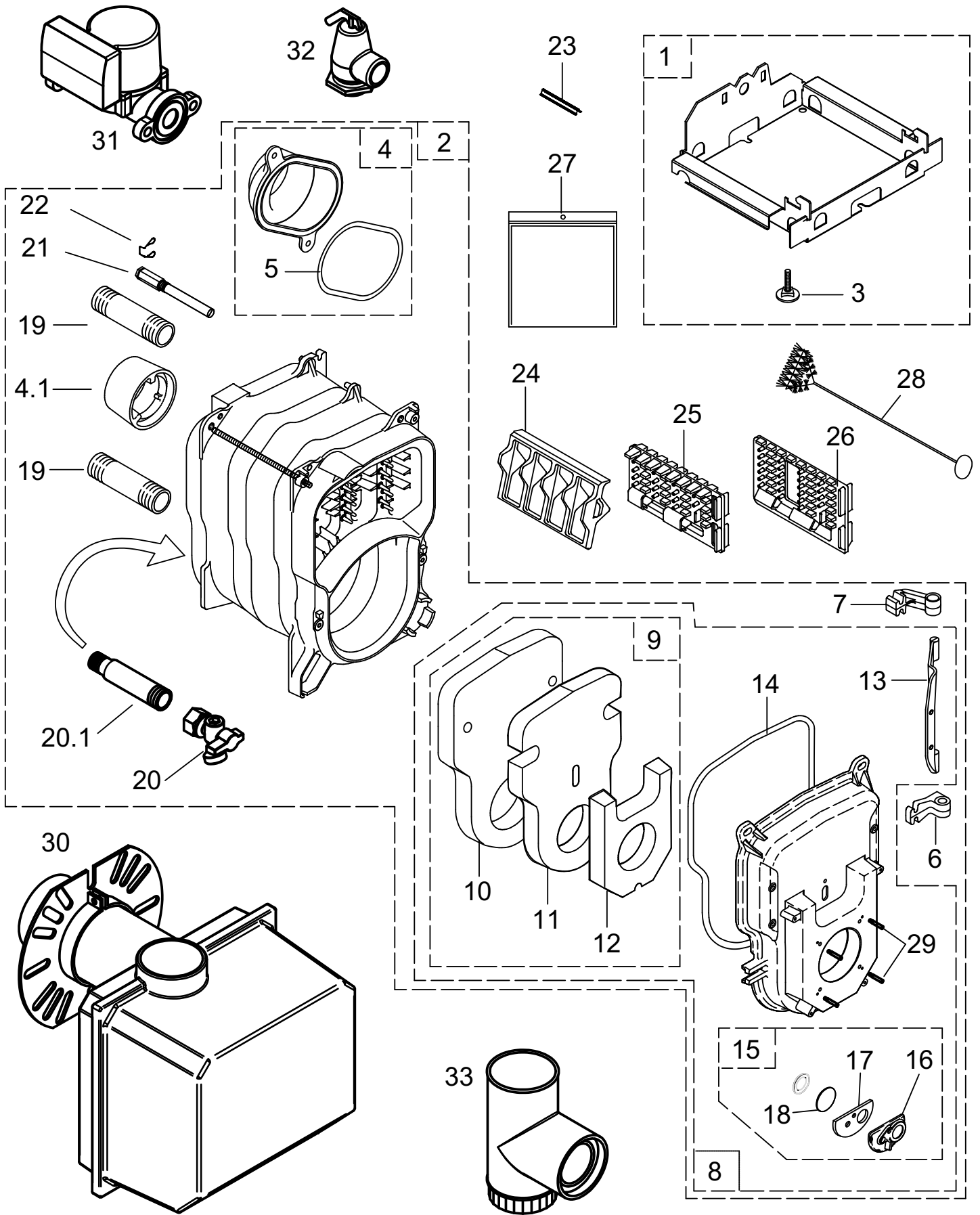
Sheet Metal & Electrical Components

Item No.	Description	EC-13	EC-14	EC-15	EC-16
35	BASIC CONTROL BOARD COVER	470015200	470015200	470015200	470015200
36	COMPLETE CONTROL BOARD CHASSIS SUB-ASSY	470036000	470036000	470036000	470036000
37	CONTROL PANEL CASING + GLASS	470218000	470218000	470218000	470218000
38	CROSS-BAR SUPPORT + POP EARTH	470219000	470219000	470219000	470219000
40	RIGHT JKT PANEL	470117000	470118000	470119000	470120000
41	LEFT JKT PANEL	470123000	470124000	470125000	470126000
42	REAR JACKET PANEL	470113000	470113000	470113000	470113000
49	TOP JACKET PANEL	470129000	470130000	470131000	470132000
50	BACK UPPER CROSS BAR	470114000	470114000	470114000	470114000
51	BAG OF SCREWS(JKT)	470110000	470110000	470110000	470110000
60	JACKET ASSEMBLY	470008100	470009100	470010100	470011100
61	BURNER DOOR PANEL	470112000	470112000	470112000	470112000
62	JACKET FRONT SUB-ASSEMBLY	470111000	470111000	470111000	470111000
70	INSULATION PACKAGE	470053000	470054000	470055000	470056000
71	INSULATING CLIPS	470127000	470127000	470127000	470127000
72	INTERFACE BOARD	791036000	791036000	791036000	791036000
73	HONEYWELL L7248L-1030 AQUASTAT	470016000	470016000	470016000	470016000
74	CONTROL BOARD COVER (FOR SF-10 CONTROL)	470121000	470121000	470121000	470121000
75	ON/OFF SWITCH	862601000	862601000	862601000	862601000
76	DISPLAY LIGHT (GREEN) W/CONNECTOR	470022100	470022100	470022100	470022100
77	DISPLAY LIGHT (AMBER)	470023000	470023000	470023000	470023000
78	SF-10 PROGRAMMABLE CONTROL	470301000	470301000	470301000	470301000
80	RELAY WHITE ROGERS 90-360 SPNO	440543000	440543000	440543000	440543000
81	RELAY WHITE ROGERS 90-370 DPDT	470298000	470298000	470298000	470298000
82	TRANSFORMER	790344000	790344000	790344000	790344000
83	TRIDICATOR	470024000	470024000	470024000	470024000
84	CONTROL BOARD COVER (BECKETT)	470121000	470121000	470121000	470121000
85	BECKETT AQUASMART TEMPERATURE CONTROL KIT	470313000	470313000	470313000	470313000
86	BECKETT AQUASMART 7600 UNIT	470314000	470314000	470314000	470314000
87	BECKETT REMOTE CONTROL PANEL	470317000	470317000	470317000	470317000
88	BECKETT REMOTE MOUNT KIT	470318000	470318000	470318000	470318000
89	RIBBON EXTENSION CABLE	470316000	470316000	470316000	470316000
90	BECKETT TEMPERATURE SENSOR UNIT	430427000	430427000	430427000	430427000
91	BECKETT TEMPERATURE SENSOR 48" EXTENSION	470315000	470315000	470315000	470315000
N/A	OUTDOOR RESET SENSOR (EM-10 CONTROL)	339070000	339070000	339070000	339070000
N/A	UNIVERSAL SENSOR (EM-10 CONTROL)	790400000	790400000	790400000	790400000

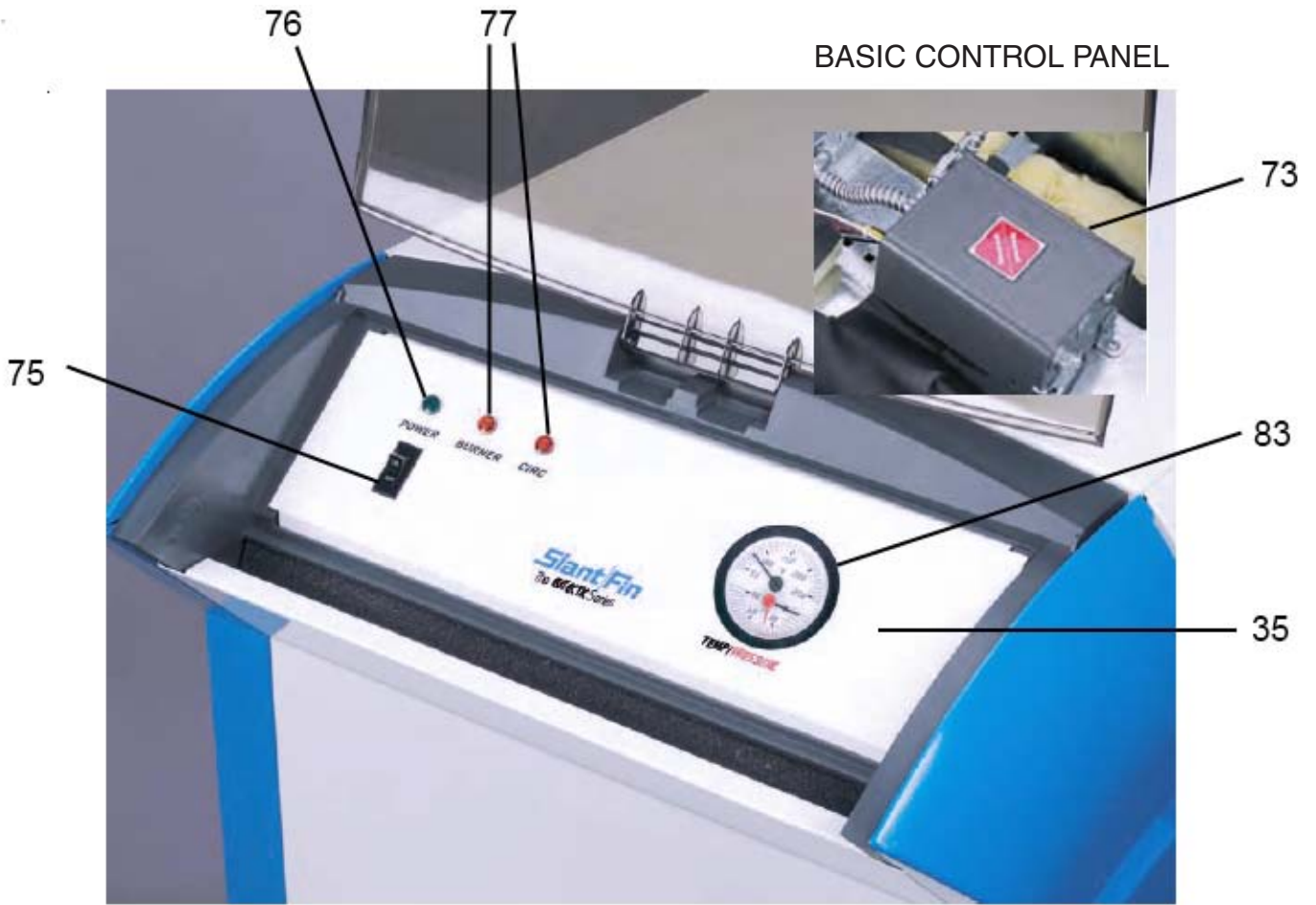
When ordering replacement parts: specify the model number and serial number. For replacement parts, heating contractors should contact their Slant/Fin boiler distributor.

Part No. 470913000 Rev. F • Printed in U.S.A. 912

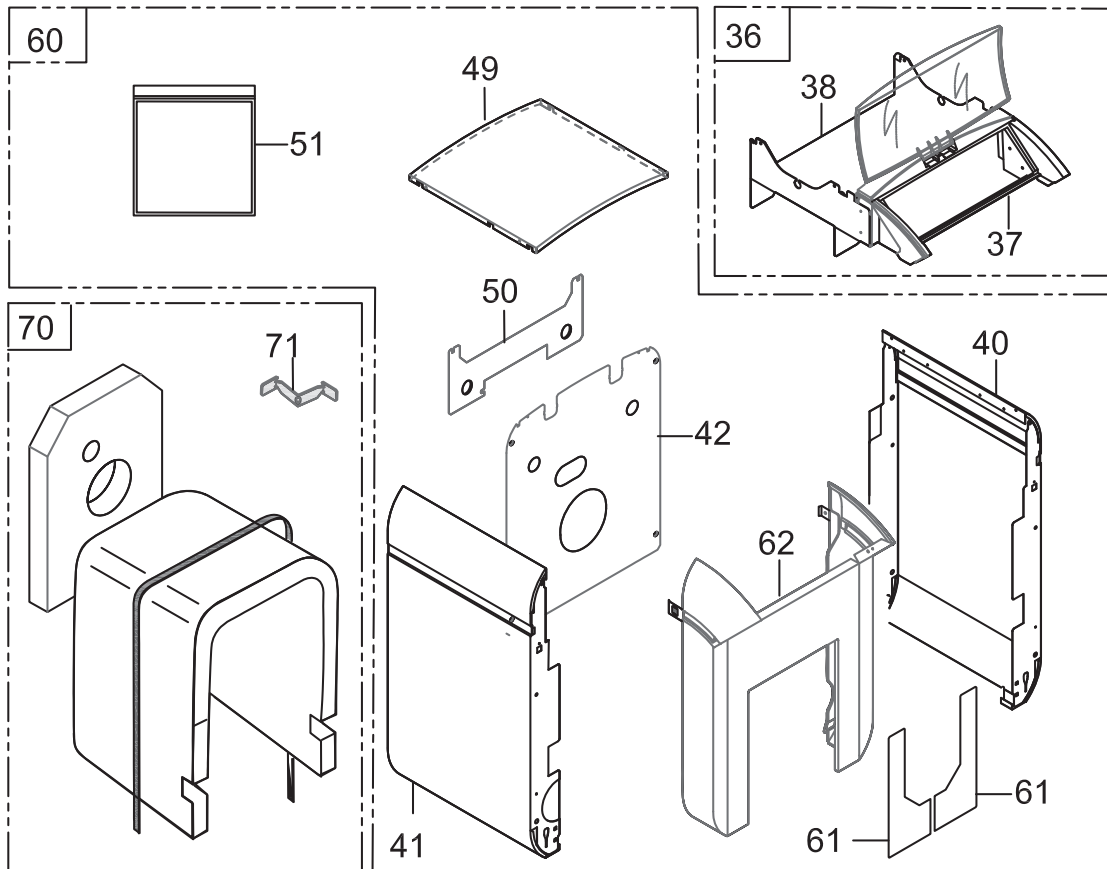
PUBLICATION: EC-10-10PL



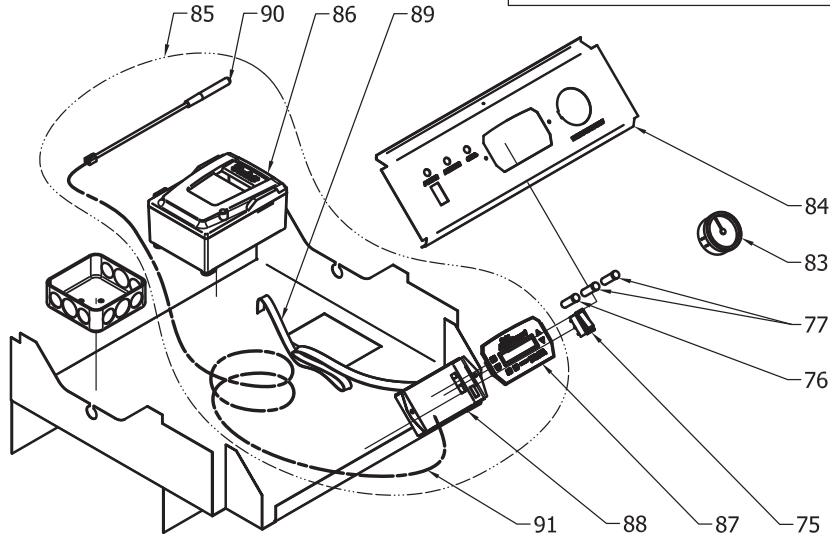
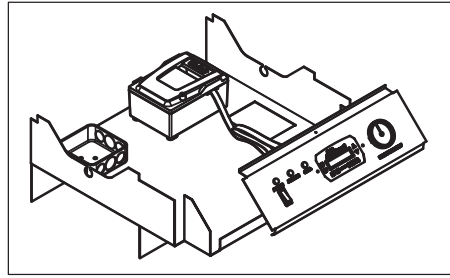
BASIC CONTROL PANEL



JACKET COMPONENTS



BECKETT AQUASMART PROGRAMMABLE
CONTROL CHASSIS



SLANT/FIN SF-10 PROGRAMMABLE
CONTROL CHASSIS

